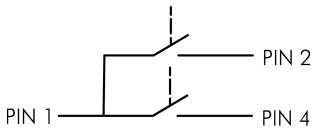
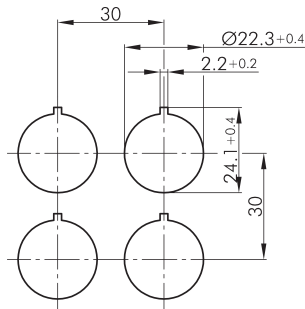
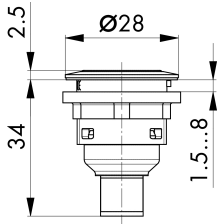




Pushbutton with 4-pole M12 connector SSWTII_C009



0 1 2

PIN 1/ PIN 2



PIN 1/ PIN 4



PIN 3 n.C.



Category:	Pushbuttons
Series:	SHORTRON® connect
Panel cut-out:	Ø 22.3 mm
Mounting depth:	33.7 mm
Protection class:	II (protective insulation)
Degree of protection:	IP65 / IP67
Switching function:	momentary action
Travel:	2.3 mm (pushbutton)
Illumination:	no
With labelling option:	yes
Contact equipment:	2 NO
Connection type:	4-pole M12 connector (integrated), A coded
Front bezel:	black
Electrical life:	1 million switching cycles
Storage temperature:	-40°C ... 80°C
Positive opening:	no
Operating temperature:	-25°C ... 70°C
Mechanical life:	1 million switching cycles
Shape:	round
Contact material:	AgNi